

Upsyline®

WALL BOX



[www.upsyline.com](http://www.upsyline.com)

Upsyline®

WALL BOX



**EN** USER'S MANUAL



- UPSY WALL BOX description..... 2
- Device composition..... 3
- UPSY WALL BOX installation..... 4
- UPSY WALL BOX operation..... 7
- Technical specifications..... 9



CABINET:

- *Structure / Body:* Solid wood.
- *Door:* Stratified board of perpendicular meshes. To offer greater resistance to deformations caused by temperature changes or direct solar effects.
- *Hardware / hinges:* Iron with stainless treatment.
- *Hangers:* Stainless steel.
- *Internal protectors for non-hanging objects:* Solid wood bar, with protection against knocks, finished in the same color as the rest of the furniture.
- *Base protector for non-hanging objects:* Textile surface that cushions the possible blow when depositing the article in the furniture.
- *Internal measurements:* Width: 315 mm. High: 400 mm. Depth: 60 mm.
- *External measurements:* Width: 315 mm. Height: 400 mm. Depth: 60 mm.
- *Finishings:*
  - Interior and exterior stained wood with a wide range of colors highly recommended for different spaces and with different styles.
  - Lacquered wood in the colors indicated on the UV BOX website and in the different sales channels.
  - Varnished wood, in light, medium and dark tones, in which the mesh of the woods can be perfectly appreciated.
  - Personalized finishes, see in the web [www.upsyline.com](http://www.upsyline.com) the different possible combinations for the personalization of the UPSY WALL BOX furniture.
  - All the finishes are made with environmentally friendly products, both in the composition of the chemical product, as in the use of binders, thickeners or solvents of dyes.

## DEVICE COMPOSITION



You will receive the UPSY WALL BOX in a high resistance cardboard box, and inside you will find a special protection bag against impacts, with the following pieces:

- 1 Finished and assembled wooden structure with door and fittings installed that make up the cabinet that houses the products to be disinfected.

- 1 bag with 2 screws and 2 plastic anchors for wall installation.

- 1 textile protector for the base of the furniture, as a supporting surface for articles.

- 1 Ultraviolet disinfection set, pre-programmed and prepared to start any disinfection process composed of:

- 1 dual-function disinfection lamp (white light and UV light)

- 1 USB charging cable to charge the disinfection lamp.

- 1 instruction manual for assembly, operation and maintenance of the equipment

## UPSY WALL BOX OPERATION



- Each of the light processes (white light-off-ultraviolet) can be seen from the outside by the fretwork symbol at the top right of the door.

- The disinfection period is programmed for a duration of 5 minutes. That is the optimal time for the total disinfection of the deposited items, under the parameters of space, light power and time.



## TECHNICAL SPECIFICATIONS



## DESCRIPTION

### LIGHTING / DISINFECTION SYSTEM:

- **Category:** White light bar combined with UV germicidal disinfection light, with motion sensor and LED timed sterilization.
- **Power consumption:** 3W
- **Input voltage:** DC5V
- **Charging port:** Micro USB
- **White light:** 5 LEDs 2835 SMD LED Warm white color - 3000 K / LED origin South Korea
- **Germicidal light:** 4 UVC LED 260-280nm.  
*UVC LEDs are imported from Korea with double wavelength to UVA390nm + UVC260nm, which makes it more effective to disinfect and eliminate viruses and bacteria reducing the chances of disease and infection.*
- **Light efficiency:** 90 lm/W
- **Luminous flow:** 270 lm
- **LED lifetime:** >50000 hours
- **Ultraviolet angle:** 120°.
- **Battery:** 3000mAh lithium battery built into the lamp housing. Duration of more than 1000 charge and discharge cycles. Can last 7-8 hours of continuous work, which is equivalent to 30 days of use.
- **Main material:** Aluminum alloy
- **Dimensions:** 300\*25\*25mm
- **Weight of lighting equipment:** 215g
- **Surface mounting:** By means of maximum adherence adhesive tape / anchorage screws.
- **Clasificación IP:** IP44
- **Destruction of bacteria and viruses:** Colibacillus, Staphylococcus aureus, chlamydia, coronavirus, flu virus.
- **Certification of germicidal capacity:** 99,9%
- **Optimal temperature for disinfection:** -20°C ~ 45°C
- **Storage temperature:** -30°C ~ 50°C
- **Optimum relative humidity for disinfection:** 15% - 90% RH
- **Certifications:** CE - ROHS
- **Warranty:** 2 años

UPSY WALL BOX is a cabinet-like device, created to be a storage and disinfection unit for articles of daily use, which are in continuous physical contact with other people, surfaces, crowded environments, unknown environments and personal articles that may have been exposed to contact with other people or in contact with unsanitized surfaces.

It is the fruit of time and dedication to achieve that those articles that are part of our outfir or our usual activity, have a place to leave them and at the same time disinfect them daily.

It is a product that has been tested and certified as a disinfectant with a high level of effectiveness that reaches 99.9% since it has been made in a perfect combination of space, volumetry, emission power and time.

In this way and with a very versatile style, we have created UPSY WALL BOX, totally effective for the use in homes, schools, hospital rooms, retirement homes, hotels, medical center, restaurants, offices, schools, gyms, and any place where we can leave our belongings, while they are being disinfected. The items that can be deposited for disinfection are many and varied, from the mobile phone, keys, lighters, glasses, bracelets, earrings, pens, controls ... and of course the mask, we never know where to leave it.

Apart from the wall furniture, there are other very interesting design variants, suitable for other places, such as the tabletop furniture, very suitable for placing on the tables of restaurants and use as a sanitizer of the items that can be deposited by the diner, but also as a disinfectant of cutlery and other items typical of a restaurant table.

It is registered in the Spanish office of patents and trademarks, with international registration, both at the level of programmed light disinfection, as a whole as a specific disinfection space.



6. Once the furniture is fixed to the wall, proceed to open the lighting and disinfection equipment. Remove the lamp from the protective bag and remove the transparent protective film that protects the lamp shade where the white and ultraviolet disinfection lamps are located. Note that the lamp has 4 sides and 2 ends:

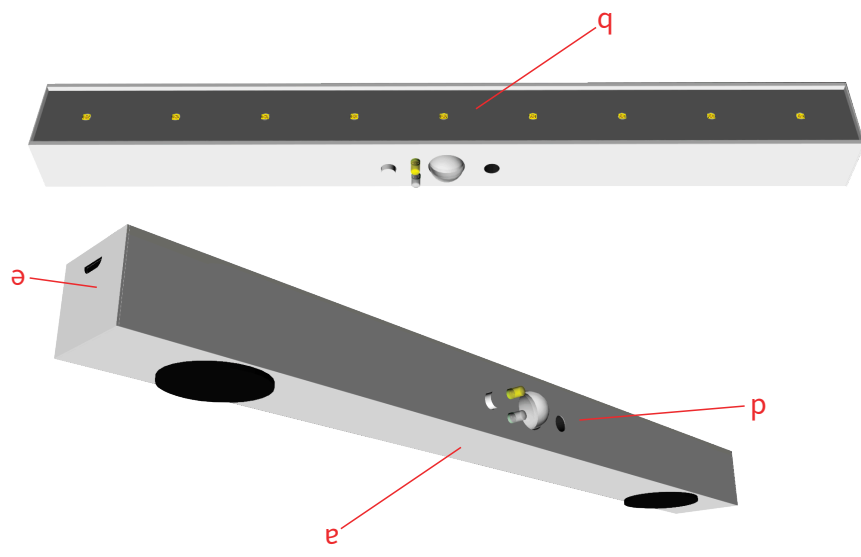
**a) Top Part:** Smooth part with 2 magnets of round and flat form, to fix the lamp in the upper part of the furniture.

**b) Lower part:** Illumination area where the white and ultraviolet disinfection lamps are located.

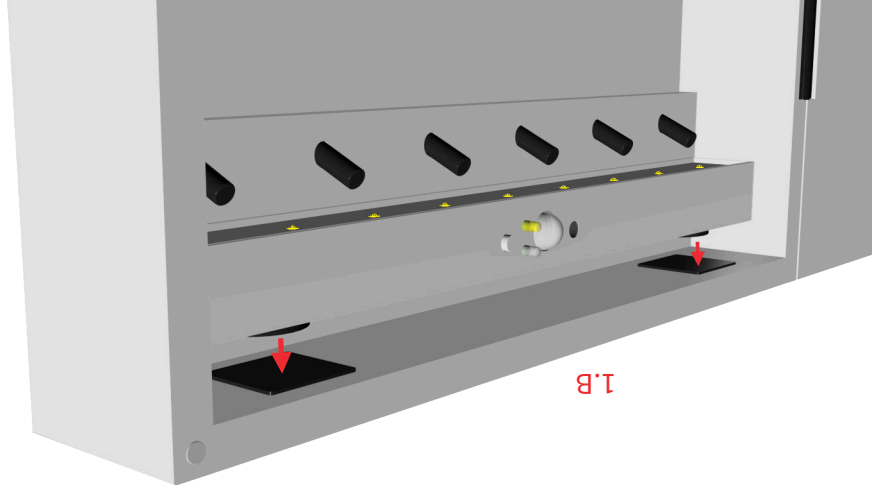
**c) Back part:** Absolutely smooth without any remarkable detail.

**d) Front part:** This is the part where the switch, the proximity and movement sensors and the light intensity sensor, as well as other indicators, are located

**e) Both sides,** are closed except one which has the connector for use of the USB cable.



7. You will notice, that in the upper internal part are installed 2 metallic plates, these metallic plates, are for the magnetic installation of the lamp. In order to make it perfectly removable for battery charging. It must always be installed with the sensors outwards, remaining in the front view position to the person who installs it. (FIGURE 1.B)



8. Once the lamp is fixed on the ceiling plates of the furniture, by means of the magnetic system incorporated in the lamp, the installation is finished. In order to extend the life of the internal battery of the disinfection lamp, it is important to exhaust it in future disinfection cycles until it is completely discharged, which will be the optimum time to carry out a complete recharge.



## UPSY WALL BOX OPERATION

The disinfection process is conditioned to the disinfection space it is intended for. That is to say, the time that the disinfection lasts is the optimal one to obtain the disinfection to 99,9% of effectiveness, taking into account the space to disinfect that we have in the furniture.

For that reason the disinfection lamp is programmed for the optimal disinfection of the furniture UPSY WALL BOX.

### INSTRUCTIONS FOR USE:

The first start: You only have to open the door of the furniture and turn on the lamp with the only switch available, located in the center of the lamp, along with the rest of controls and sensors.

When you press the switch, you will appreciate that the lights make a combined flashing between the white and ultraviolet lights, this process is automatic and has a duration of 3 flashes for each type of lamp. This step is only to test the space to be disinfected and to coordinate the two types of light.

Then, the bar will remain on in white light format for 12 seconds, estimated time so that the garments to be disinfected can be placed.

Once the items are placed inside the furniture, we close the door and the white light turns off for 4/5 seconds, in order to analyze the entry of natural or artificial light, which may interfere with the disinfection by ultraviolet lights.

After the 4/5 seconds the white light has been turned off and analyze that the light which may penetrate from the outside of the furniture, does not interfere with the effectiveness of the disinfection. If this has been all positive..The ultraviolet lights will be turned on to start the disinfection process correctly.



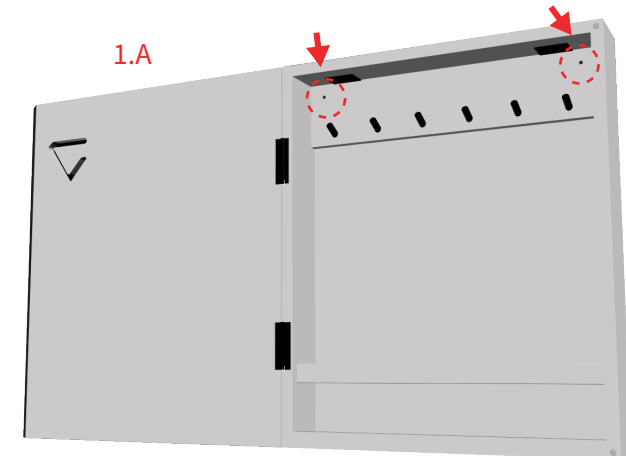
## UPSY WALL BOX INSTALLATION



Remember that the installation of the furniture, can be done in any space without the need to be near any electrical outlet, since the operation does not depend on the domestic electrical current (220/110)

The installation of the equipment on the wall should be carried out by following the steps below, according to the components / fittings indicated in the section corresponding to the composition of the equipment:

1. Open the box carefully without using any cutting tools, which may damage the set.
2. Take out of the box all mounting accessories and electronic disinfection equipment.
3. Position the wooden furniture in the place you want to install it and mark the holes that appear on the top of the hangers. (FIGURE 1.A)



4. Drill the holes in the wall and place the plastic anchors.
5. Place the screws that are enclosed in the contents of the equipment, and the furniture will be fixed.